

I/O module - AXL SE DOR2 W 230 - 1105562

Please be informed that the data shown in this PDF Document is generated from our Online Catalog. Please find the complete data in the user's documentation. Our General Terms of Use for Downloads are valid (<http://phoenixcontact.com/download>)



Axioline Smart Elements, Relay module, Relay outputs: 2 (floating), Changeover contact, 220 V DC, 230 V AC, degree of protection: IP20

Product Description

You can integrate Axioline Smart Elements into systems with the Smart Element interface. This Smart Element has two relay changeover contacts that are independent of each other and floating. You can install low-voltage and extra-low-voltage modules directly next to each other on one Axioline F backplane.

Your advantages

- ✓ 2 mono-stable relays
- ✓ Floating connections for 2 actuators
- ✓ Nominal current per output: 6 A
- ✓ Total Smart Element current: 2 x 6 A
- ✓ Device rating plate stored



Key Commercial Data

Packing unit	1 pc
GTIN	 4 055626 989013
GTIN	4055626989013
Custom tariff number	85364900
Country of origin	Germany

Technical data

Note

Utilization restriction	EMC: class A product, see manufacturer's declaration in the download area
-------------------------	---

I/O module - AXL SE DOR2 W 230 - 1105562

Technical data

Dimensions

Caption	Dimensions
Width	14.9 mm
Height	62.2 mm
Depth	62 mm

Ambient conditions

Ambient temperature (operation)	-25 °C ... 60 °C
Ambient temperature (storage/transport)	-40 °C ... 85 °C
Permissible humidity (operation)	5 % ... 95 % (non-condensing)
Permissible humidity (storage/transport)	5 % ... 95 % (non-condensing)
Air pressure (operation)	80 kPa ... 106 kPa
Air pressure (storage/transport)	70 kPa ... 106 kPa (up to 3000 m above sea level)
Degree of protection	IP20

Connection data

Designation	I/O
Connection method	Push-in connection
Note on the connection method	Please observe the information provided on conductor cross sections in the "Axioline Smart Elements" user manual.
	When selecting the cables, observe the permissible operating temperature in accordance with IEC or UL.
Conductor cross section solid min.	0.25 mm ²
Conductor cross section solid max.	1.5 mm ²
Conductor cross section flexible min.	0.25 mm ²
Conductor cross section flexible max.	1.5 mm ²
Conductor cross section AWG min.	24
Conductor cross section AWG max.	16
Conductor cross section, flexible, with ferrule, with plastic sleeve	0.25 mm ² ... 1.5 mm ²
Conductor cross section flexible, with ferrule without plastic sleeve	0.25 mm ² ... 1.5 mm ²
Stripping length	8 mm

General

Mounting type	Smart Element slot
Color	traffic grey A RAL 7042
Net weight	42.95 g
Degree of pollution	2 (IEC 60664-1, EN 60664-1)
Mounting position	See the system in which the Smart Element is used.

Interfaces

Designation	Smart Element interface
-------------	-------------------------

I/O module - AXL SE DOR2 W 230 - 1105562

Technical data

Interfaces

Number	1
Connection method	Card edge connector
Transmission speed	See system in which you use the Smart Element.
Start time until ready to operate	< 500 ms

Axioline potentials

Designation	Communications power supply of the Smart Elements (U_{SE})
Additional text	using card edge connectors
Current consumption	max. 23 mA
Designation	I/O supply (U_P)
Supply voltage	24 V DC (using card edge connectors)
Supply voltage range	19.2 V DC ... 30 V DC (including all tolerances, including ripple)
Current consumption	typ. 36 mA (18 mA per relay, all contacts floating)
Power consumption	typ. 0.864 W
Protective circuit	Surge protection See the system in which the Smart Element is used.
	Reverse polarity protection parallel diode
Protection	See the system in which the Smart Element is used.

Relay outputs

Output name	Relay outputs
Number of outputs	2 (floating)
Connection method	Push-in connection
Connection technology	2-conductor
Switching current	max. 6 A (up to 250 V AC, $\cos \phi = 0.75 \dots 0.8$)
	max. 6 A (up to 30 V DC, N/O contact, general use)
	max. 3 A (up to 30 V DC, N/C contact, general use)
	max. 580 mA (at 48 V DC)
	max. 250 mA (at 110 V DC)
	max. 125 mA (at 220 V DC)
	max. 220 mA DC (125 V DC, $L/R \leq 50$ ms)
	max. 110 mA DC (250 V DC, $L/R \leq 50$ ms)
Switching capacity	max. 1500 VA (AC applications up to 55°C, observe derating above that)
	max. 180 W (up to 30 V DC, N/O contact, general use)
	max. 90 W (up to 30 V DC, N/C contact, general use)
	max. 28 W (above 30 V DC)
	For further DC values, see DC load limit curve.
Contact type	Changeover contact
Output current	max. 6 A (per channel, observe derating)

I/O module - AXL SE DOR2 W 230 - 1105562

Technical data

Relay outputs

Nominal output voltage	220 V DC
	230 V AC
Output voltage range	24 V DC ... 220 V DC -20 % / +15 %
	24 V AC ... 230 V AC -20 % / +15 % (50/60 Hz)
Switching current	max. 6 A (up to 250 V AC, $\cos \phi = 0.75 \dots 0.8$)
	max. 6 A (up to 30 V DC, N/O contact, general use)
	max. 3 A (up to 30 V DC, N/C contact, general use)
	max. 580 mA (at 48 V DC)
	max. 250 mA (at 110 V DC)
	max. 125 mA (at 220 V DC)
	max. 220 mA DC (125 V DC, L/R ≤ 50 ms)
	max. 110 mA DC (250 V DC, L/R ≤ 50 ms)
Switching capacity	max. 1500 VA (AC applications up to 55°C, observe derating above that)
Switching capacity according to IEC 60947-5-1	3 A (24 V (AC15))
	3 A (120 V (AC15))
	3 A (230 V (AC15))
	2 A (24 V (DC13), L/R = 100 ms)
	0.2 A (110 V (DC13), L/R = 44 ms)
	0.1 A (220 V (DC13), L/R = 44 ms)
Switching capacity in accordance with UL/CSA 61010-2-201	5 A (AC, B300, up to max. 55°C)
	1 A (DC, R300, up to max. 60°C)
Switching frequency	max. 6 (per minute)
Mechanical service life	20x 10 ⁶ cycles

Electrical isolation

Test section	Communications supply / 24 V supply (I/O) 500 V AC 50 Hz 1 min.
	Supply logic / relay contact 4 kV Rated surge voltage (safe isolation according to EN 61010-2-201/IEC 61010-2-201)
	Communications supply / functional ground 500 V AC 50 Hz 1 min.
	24 V supply (devices) / relay contact 4 kV Rated surge voltage (safe isolation according to EN 61010-2-201/IEC 61010-2-201)
	24 V supply (I/O) / functional ground 500 V AC 50 Hz 1 min.
	Relay contact / functional ground 4 kV Rated surge voltage (safe isolation according to EN 61010-2-201/IEC 61010-2-201)

Standards and Regulations

Immunity to ESD	Immunity test in accordance with EN 61000-6-2/IEC 61000-6-2 Electrostatic discharge (ESD) EN 61000-4-2/IEC 61000-4-2 Criterion B, 6 kV contact discharge, 8 kV air discharge
-----------------	---

I/O module - AXL SE DOR2 W 230 - 1105562

Technical data

Standards and Regulations

Immunity to EF	Immunity test in accordance with EN 61000-6-2/IEC 61000-6-2 Electromagnetic fields EN 61000-4-3/IEC 61000-4-3 Criterion A, Field intensity: 10 V/m
Immunity to burst	Immunity test in accordance with EN 61000-6-2/IEC 61000-6-2 Fast transients (burst) EN 61000-4-4/IEC 61000-4-4 Criterion B, 2 kV
Immunity to surge	Immunity test in accordance with EN 61000-6-2/IEC 61000-6-2 Transient overvoltage (surge) EN 61000-4-5/IEC 61000-4-5 Criterion B, I/O cables: ± 1 kV asymmetrical
Immunity to conducted interference	Immunity test in accordance with EN 61000-6-2/IEC 61000-6-2 Conducted interference EN 61000-4-6/IEC 61000-4-6 Criterion A, Test voltage 10 V
Interference emission	Noise emission test in accordance with EN 61000-6-4/IEC 61000-6-4 Class A
Mechanical tests	Vibration resistance in acc. with EN 60068-2-6/IEC 60068-2-6 1g
	Shock in acc. with EN 60068-2-27/IEC 60068-2-27 10g (contact interruption) / 5g (contact closure)
Overvoltage category	III (EN 61010-2-201/IEC 61010-2-201)

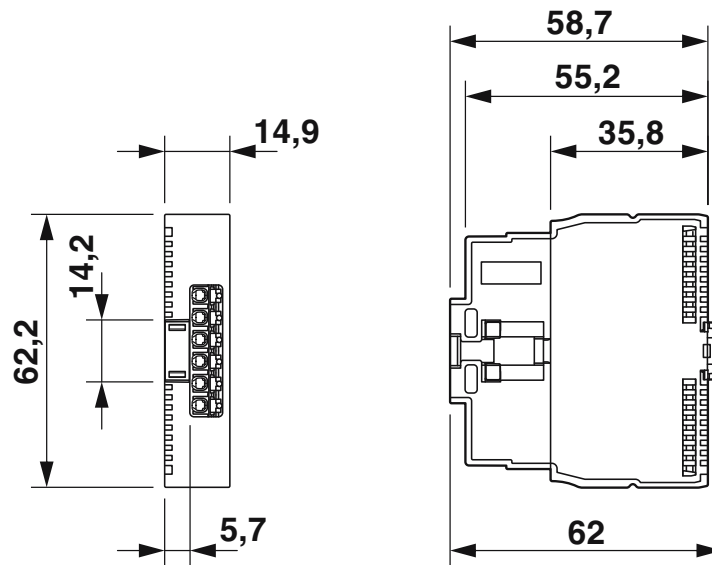
Environmental Product Compliance

REACH SVHC	Lead 7439-92-1
China RoHS	Environmentally Friendly Use Period = 50 years
	For details about hazardous substances go to tab "Downloads", Category "Manufacturer's declaration"

Drawings

I/O module - AXL SE DOR2 W 230 - 1105562

Dimensional drawing



Dimensions

Classifications

eCl@ss

eCl@ss 10.0.1	27242604
eCl@ss 11.0	27242604
eCl@ss 9.0	27242604

ETIM

ETIM 7.0	EC001599
----------	----------

UNSPSC

UNSPSC 18.0	32151602
UNSPSC 19.0	32151602
UNSPSC 20.0	32151602
UNSPSC 21.0	32151602

Approvals

Approvals

I/O module - AXL SE DOR2 W 230 - 1105562

Approvals

Approvals

UL Listed / cUL Listed / cULus Listed

Ex Approvals

Approval details

UL Listed		http://database.ul.com/cgi-bin/XYVV/template/LISEXT/1FRAME/index.htm	FILE E 238705
-----------	--	---	---------------

cUL Listed		http://database.ul.com/cgi-bin/XYVV/template/LISEXT/1FRAME/index.htm	FILE E 238705
------------	--	---	---------------

cULus Listed			
--------------	--	--	--

Accessories

Accessories

Crimping tool

Crimping pliers - CRIMPFOX 6 - 1212034



Crimping pliers, for ferrules without insulating collar according to DIN 46228 Part 1 and ferrules with insulating collar according to DIN 46228 Part 4, 0.25 mm² ... 6.0 mm², lateral entry, trapezoidal crimp

Crimping pliers - CRIMPFOX DUO 10 - 1031721



Crimping pliers, type of contact: Insulated and uninsulated ferrules, min. cross section: 0.14 mm², max. cross section: 10 mm², for TWIN ferrules up to 2 x 4 mm², automatic cross section adjustment, rotating die, lateral and frontal insertion, compression: Trapezoidal crimp, black/green

I/O module - AXL SE DOR2 W 230 - 1105562

Accessories

Crimping pliers - CRIMPFOX 10T-F - 1134913



Crimping pliers, type of contact: Insulated and uninsulated ferrules, standards/specifications: DIN 46228-1, DIN 46228-4, min. cross section: 0.14 mm², max. cross section: 10 mm², For TWIN ferrules up to 2 x 4 mm², automatic cross section adjustment, frontal insertion, compression: Trapezoidal crimp, black

I/O component

Module carrier - AXL F BP SE4 - 1088135



Axioline F, Backplane, 4 slots for Axioline Smart Elements, transmission speed in the local bus: 100 Mbps, degree of protection: IP20

Module carrier - AXL F BP SE6 - 1088136



Axioline F, Backplane, 6 slots for Axioline Smart Elements, transmission speed in the local bus: 100 Mbps, degree of protection: IP20

Screwdriver tools

Screwdriver - SZS 0,4X2,5 VDE - 1205037



Screwdriver, slot-headed, VDE insulated, size: 0.4 x 2.5 x 80 mm, 2-component grip, with non-slip grip

Terminal marking

I/O module - AXL SE DOR2 W 230 - 1105562

Accessories

Label - MM-TML (EX4,2)R C1 TR/BK - 0803979



Label, Roll, transparent, unlabeled, can be labeled with: THERMOFOX, THERMOMARK GO, THERMOMARK GO.K, mounting type: adhesive, for terminal block width: 8000 mm, lettering field size: continuous x 3.2 mm

Marker strip - SK 5,0 WH:REEL - 0805221



Marker strip, Roll, white, unlabeled, can be labeled with: THERMOMARK ROLL 2.0, THERMOMARK ROLL, THERMOMARK ROLL X1, THERMOMARK ROLLMASTER 300/600, THERMOMARK X1.2, mounting type: adhesive, for terminal block width: 5 mm, lettering field size: continuous x 5 mm, Number of individual labels: 90000

Marker for terminal blocks - UM6M-TM (5X12) - 0830928



Markers for marking terminal blocks from ABB/Entelec, 24-section, unmarked, can be marked with THERMOMARK CARD and BLUEMARK, color: white

Marker for terminal blocks from the SNK series from ABB - UCT6M-TM 5 - 0830756



Marker for terminal blocks from the SNK series from ABB, Sheet, white, unlabeled, can be labeled with: THERMOMARK CARD, THERMOMARK CARD 2.0, THERMOMARK PRIME, BLUEMARK ID, BLUEMARK ID COLOR, TOPMARK LASER, TOPMARK NEO, for terminal block width: 5.2 mm, lettering field size: 4.17 x 11.3 mm